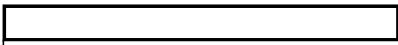
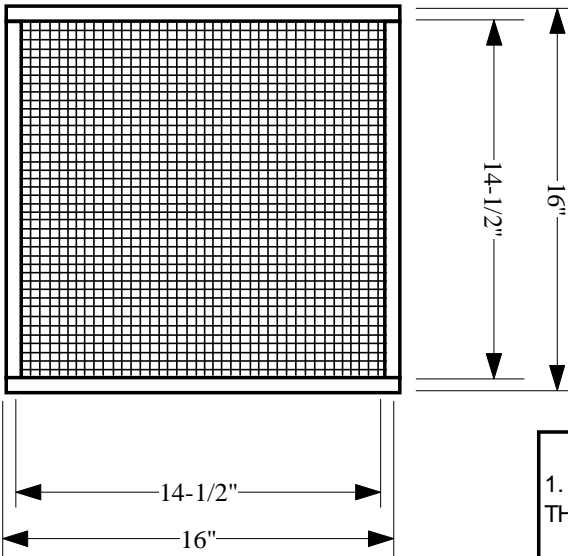


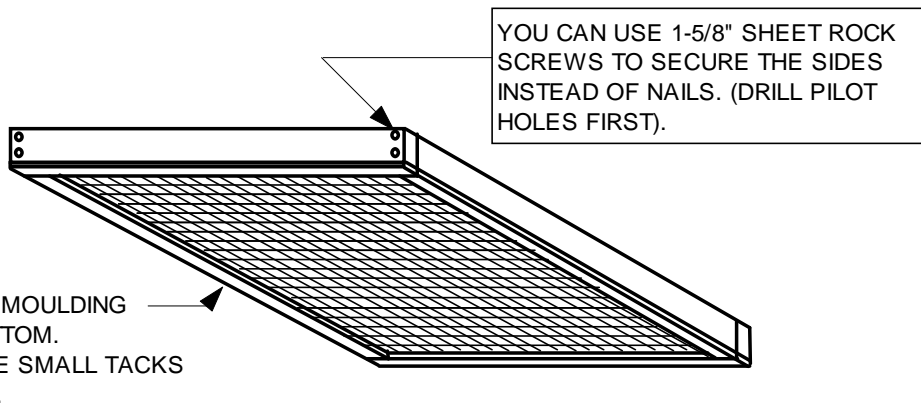
BUILD A GRAVEL SCREEN

TOP VIEW



FRONT VIEW

1. BUILD A BOX USING 3/4" X 1-1/2" PIECES FOR THE SIDES.
2. NAIL THE SCREEN TO THE BOTTOM OF THE BOX WITH 3/4" SCREEN MOULDING.
3. SCREEN IS 1/4" MESH "HARDWARE CLOTH".



SECURE SCREEN TO THE BOTTOM OF THE BOX WITH 3/4" LATHS (SCREEN MOULDING) AND SMALL NAILS. THE LATHS WILL KEEP FINGERS FROM GETTING PUNCTURED BY UNRAVELED PARTS OF THE SCREEN. SCREEN AND SCREEN MOULDING CAN BE PURCHASED AT ANY BUILDING SUPPLIES STORE.